

broadway architectural



CDM-SA/T 150W

CDM-SA/T 150W

- Long life
- Short arc
- Colour stability
- Excellent colour homogeneity
- High luminous efficacy

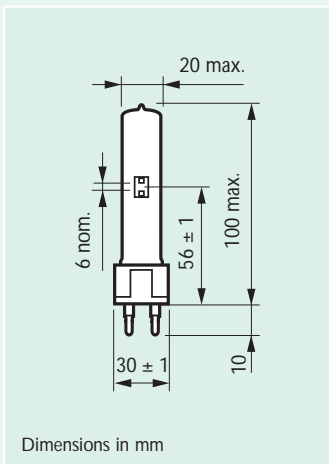
PHILIPS

broadway architectural

CDM-SA/T 150W

The revolutionary qualities of Ceramic Discharge Metal Halide (CDM) lamp technology are added to the Broadway Architectural range with the introduction of CDM-SA/T 150W. This compact single ended discharge lamp offers the crisp white light associated with metal halide technology, stable colour over life and an excellent colour rendering. The lamps feature a UV-block quartz outer bulb, while the low heat output enhances personal comfort and safety.

Philips Lighting is committed to providing the latest technology to offer new degrees of creativity and flexibility to achieve dynamic results in architectural lighting.



Applications

- Architectural projection



Type	Lamp wattage	Cap/base	Lumen output	Efficacy source	Colour temperature Nom.	Dimming	Burning position	CRI	Average lamp life	Replacement before hrs	Minimum ignition supply voltage	Lamp current	Ordering number
	W		lm	lm/W	Tc (K)				h	h	V	A	
CDM-SA/T	150	G12	12900	86	4200	Y	ANY	96	6000	6600	207	1.8	9280 866 05100

Nominal values measured in horizontal burning position in an integrating sphere on a magnetic ballast.

Maximum permissible temperatures (degr. C)

Type	Base/Pinch	Bulb
CDM-SA/T	350	650

Δ V_{la} max ± 5V



For further information please contact your local Philips Lighting representative
www.broadwayarchitectural.philips.com